

porodo
LIFESTYLE

DIGITAL TOUCH **ELECTRIC GRILL**

INDEPENDENT DUAL PLATE CONTROLS

Model : PD-LSDGGR-BK



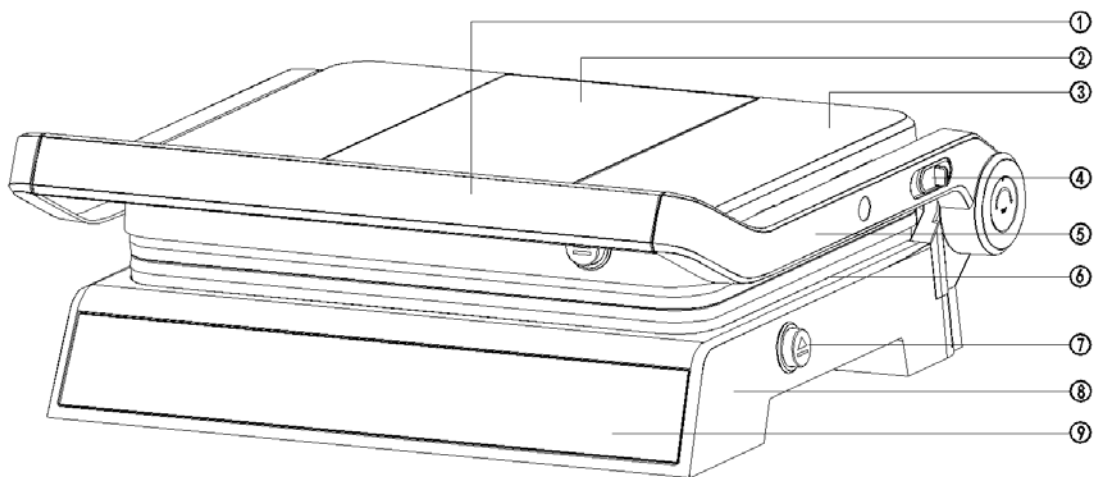
For you safety and continued enjoyment of this product. Always read the instruction book carefully before using

IMPORTANT SAFEGUARDS

• READ ALL INSTRUCTIONS

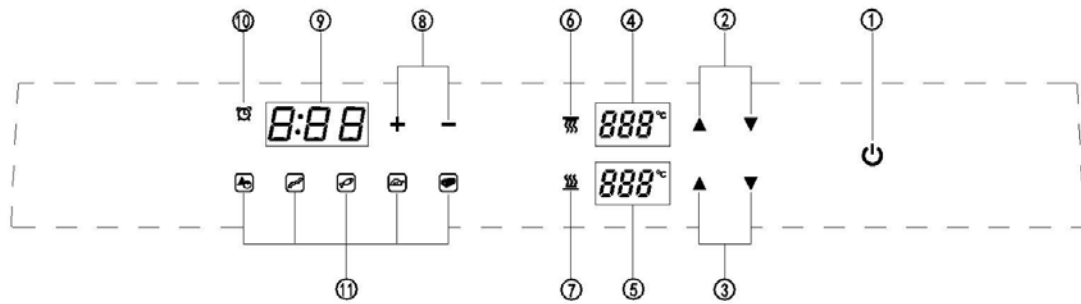
- Use only on AC 220-240 Volt, 50/60 Hz. Use only for household.
- Do not touch hot surfaces. Use handles and knob.
- To protect against risk of electric shock, do not immerse the cord, plug or cooking unit in water or any other liquid.
- Close supervision is necessary when any appliance is used by or near children.
- Unplug from outlet when not in use and before cleaning. Allow to cool before putting on or taking off parts, and before cleaning appliance.
- Do not operate any appliance with a damaged has malfunctioned or has been damaged in any manner. In order to avoid the risk of an electric shock, never try to repair the Press Grill yourself. Take it to an authorized service station for examination and repair. An incorrect reassembly could present a risk of electric shock when the Press Grill is used.
- The use of accessory attachments not recommended by the manufacturer may result in fire, electrical shock, or risk of injury to persons.
- Do not use outdoors or for commercial purposes.
- Do not let power cord hang over the edge of the table or counter, or touch hot surfaces.
- Do not place on or near a hot gas or electric burner or heated oven.
- Unplug the unit when finished using.
- Extreme caution must be exercised when moving an appliance

PARTS IDENTIFICATION



- | | | |
|-------------------------------|---------------------------|-------------------------|
| 1. HANDLE | 4. 180 degree open button | 7. Plate release button |
| 2. Stainless steel decoration | 5. Aluminum handle | 8. Bottom housing |
| 3. Upper housing | 6. Plate | 9. Control panel |

OPERATIONAL GUIDANCE



• Power Switch①:

- * In standby, power switch is on breathing flash state
- * In working mode, power switch is lighting
- * Touch power switch to turn on the power
- * Touch power switch to stop prompt tone
- * Press 3 seconds to turn off the power

• Temperature regulators for upper plate②:

- * Turn on power, temperature regulators flashing
- * The machine is working condition, temperature regulators are normal on
- * Each touch increase/decrease 5 degrees
- * Long press continuous increase/decrease

• Temperature regulators for lower plate③:

- * Turn on power, temperature regulators flashing
- * The machine is working condition, temperature regulators are normal on
- * Each touch increase/decrease 5 degrees
- * Long press continuous increase/decrease

• Temperature display for upper plate④:

- * Power on indicates 000°C
- * Temperature setting range 90-230°C
- * After temperature is setting, light flashing three times to start working
- * In working condition, the light is normal on

• Temperature display for lower plate⑤:

- * Power on indicates 000°C
- * Temperature setting range 90-230°C
- * After temperature is setting, light flashing three times to start working
- * In working condition, the light is normal on

• Heating display for upper plate⑥:

- * Turn on power,the light is in white color,it is normal on
- * When heating,light is in red color and starts to flashing
- * When stop heating,light is in red color and normal on

• Heating display for lower plate⑦:

- * Turn on power,the light is in white color,it is normal on
- * When heating,light is in red color and starts to flashing
- * When stop heating,light is in red color and normal on

• Timer control buttons⑧:

- * Each touch increase/decrease one minute
- * Long press continuous increase/decrease
- * In working condition,the light is normal on

• Timer display⑨:

- * Power on indicates 0:00
- * Timer range from 1 minute to 4 hours.
- * After timer is setting,countdown starts light flashing three times.
- * Without setting timer,light is normal on

• Timer status display⑩:

- * If countdown starts,light is normal on
- * Without setting timer or timer is stopper,light is off

• Five auto mode buttons :

Programmes	Time(minutes)	Temperature(°C)
Vegetables	8	200
Sausage	10	220
Fish	8	210
Chicken	7	230
Beef steak	8	230

- * Without start auto mode,the light is in white color,it is normal on
- * Press 3 seconds to turn on an auto mode,the light turns in green color
- * When an auto mode is on,you can increase/decrease time and/or temperature according to own taste
- * Press 3 seconds to turn off an auto mode if you want to stop it

BEFORE FIRST USE

- Read all instructions carefully and keep them for future reference.
- Remove all packaging
- Clean the Cooking Plates by wiping a sponge or cloth dampened in warm water.

DO NOT IMMERSE THE UNIT AND DO NOT RUN WATER DIRECTLY ONT THE COOKING SURFACES.

- Dry with a cloth or paper towel.
- For best results, lightly coat the cooking plates with a little cooking oil or cooking spray.

Notice: When your Grill is heated for the first time, it may emit slight smoke or odor. This is normal with many heating appliances. This does not affect the safety of your appliance.

HOW TO USE

Insert the plug into the wall socket; There is a short beep sound, and the power button will breathing flash

If manual mode has been selected, set a temperature for preheating.

After preheating is finished, Beep beep beep sound will ring out. Touch power button to stop it.

Open the grill, put the sandwich, meat or other foods on the bottom cooking plate.

Close the grill. You can adjust temperature and/or time according to your preference.

Touch the first and the last auto mode button at the same time to turn off the sound

Notes:

- 1.) The desired temperature can be set between 90 and 230 .the desired temperature can be set between 90 and 230 .
- 2.) At first, try a setting in the max for preheating. You may later adjust it lower according to your preference.

If one of the 5 auto modes is selected. The display will show the corresponding time and temperature. Beep beep beep sound will ring out after preheating.

Open the grill, put the sandwich, meat or other foods on the bottom cooking plate.

Close the grill. Touch power button and countdown starts.

Notes:

- 1.) According to personal taste, you can increase or decrease time and/or temperature when you use auto mode.
- 2.) When the food is cooked use the handle to open the lid. Remove the foods with plastic spatula. .
- 3.) Once you are finished cooking, disconnect the plug from the wall outlet and leave unit open to cool.

Notes:

- 1.) A short Beep will sound when each key press
- 2.) Pay attention to burns when you place food after preheating
- 3.) Never use metal knife or sharp things as these can cause damage to the non-stick coating of the cook plates

CLEANING AND CARE

- Always unplug the Grill and allow it to cool before cleaning. The unit is easier to clean when slightly warm. There is no need to disassemble Grill for cleaning. Never immerse the Grill in water or place in dishwasher.
- Wipe cooking plates with a soft to remove food residue. For baked on food residue squeeze some warm water mixed with detergent over the food residue then clean with a non abrasive plastic scouring pad or place wet kitchen paper over the grill to moisten the food residue.
- Do not use anything abrasive that can scratch or damage the non-stick coating.
- Do not use metal utensils to remove your foods, they can damage the non-stick surface.
- Wipe the outside of the grill toaster with a damp cloth only. Do not clean the outside with any abrasive scouring pad or steel wool, as this will damage the finish. Do not immerse in water or any other liquid.
- Do not place in the dishwasher.
- Remove and empty the drip tray after each use and wash the tray in warm, soapy water. Avoid the use of scouring pads or harsh detergents as they may damage the surface. Rinse and dry thoroughly with a clean, soft cloth and replace.

STORAGE

- Always unplug the Grill before storage.
- Always make sure the Grill is cool and dry before storing.
- The power cord can be wrapped around the bottom of base for storing.

Electrical appliances, accessories and their packaging must be reused as much as possible in an environmentally sound manner. Do not dispose of these items together with your normal rubbish. Only for EU countries

According to the European 2002/96/EG WEEE Guideline on the disposal of old electric and electronic appliances, the appliances that are no longer used must be collected and recycled in an environmentally sound manner.